

ITEM NO.	PART NO.	DESCRIPTION	QTY.
1	PH715-36	sol hose, 3/8", silicone braided, clear	2
2	H347	clamp, hose, 5/16-29/32	4
3	B241	adapter, brass, 3/8" barb x 1/4"mpt	3
4	B136	elbow, brass, 90 deg, 1/4" mpt x 1/4" mpt	4
5	C313C	regulator, 450 psi, silver spring	1
6	B208	coupling, 3/8" fpt x 1/4" fpt	5
7	H185	screw, 10-32 x 1 1/4", phil flat full thread	4
8	H044	bracket, regulator, panel mount	1
9	H273	nut, kep, #10-32 zinc	14
10	H304	screw, #8 x 5/8 phil oval, s/s	14
11	H296	guard, cooling fan, wire	2
12	H186	screw, 10-32 x 3/4, phil, flat, countersunk, s/s, black	2
13	H632	plate, mounting, relay switch, dual circuit indicator	1
14	H792	nut, lock, 6-32, nylon insert	3
15	E632	relay, shut-off switch, mechanical float, 115v	2
16	H216	nut, lock, 1/4-20, nylon insert, s/s	10
17	H210	washer, 1/4" flat, s/s	22
18	H342	bolt, 1/4-20 x 1" hex head, s/s	12
19	H668	caster, 4", black hub & gray tread	2
20	H371	axle, 18.03" x .50" dia	1
21	H254	washer, axle, cut 1/2" id	10
22	H109	wheel, 10", foam filled	2
23	H042	c-clip, 12mm, external	2
24	H256	screw, 10-32 x 3/4" phil pan head	6
25	E360	flanged male inlet recaptacle, 230V, 20A	2
26	P731	base	1
27	B207	elbow, brass, 90 deg, 1/4" fpt x 1/4" fpt	1
28	AH156	hose, 3/8" x 6.5", (OAL), f x fsw, 5400 Gray	1
29	B103	elbow, 90 deg street, 1/4"mpt x 1/4" fpt	8
30	H230	screw, 10-32 x 1/2" phil pan head, s/s	6
31	B142A	coupling, brass, 1/4" fpt x 1/4" fpt	2
32	H528	bracket, heater mounting, dual	1
33	H903A	heater, aluminum cast, single	2
34	E574	Thermostat, 310°F ± 10°F, Manual, 1/4"	2
35	E573	Thermostat, 200°, Auto, 1/4"	2
36	H274	screw, 6 x 3/16, phil pan head, self-tapping	10
37	E520	heating rod, 1000W, 230V	1
38	E572	heating rod, 600W, 230V	1
39	AH124	sol hose, pulse, 3/8" x 15", 1/4" msw x 1/4" msw	1
40	B160	adapter, brass, 1/2" barb x 3/8" fsw, ball end	1
41	PH615-36	sol hose, 1/2" kuri 100psi	1
42	B644	barb, 1/2" barb x 1/4" mpt	1
43	C342	pump, 800psi	1
44	B127	plug, brass, 1/4"mpt, hex	1
45	H215	nut, hex, 1/4-20 s/s	6
46	H770	bolt, 1/4-20 x 1/2" serrated hex flange, zinc	8
47	H912	bracket, rear, fb/spy	1
48	H124	Cuff-Lynx, 2" mpt x 2" female cuff	2
49	H194	coupler, 2" dia x 2.5" length, s/s	2
50	H217	clamp, hose, 2-1/4 dia	4
51	PH628-20	vac hose, 2", wire reinforced	1
52	P732	sol tank, speedster	1
53	H390A	bracket, "L", 2" x 2"	2
54	H178	faucet fill	1
55	G018	cover, sol tank (sp)	1
56	H203	bolt, 1/4-20 x 1-1/4"	2
57	H211	washer, 1/4" id x 1" od, flat, s/s	6
58	G052	washer, buna 1-1/8" od x 3/16" id	6
59	H213	washer, 1/4" lock, s/s	10
60	H768	bolt, 1/4-20 x 3/4" serrated hex flange, zinc	2
61	H485	handle, aluminum grip, black	1
62	AH206	sol hose, 1/4" x 28", 1/4 msw x 1/4 mpt	1

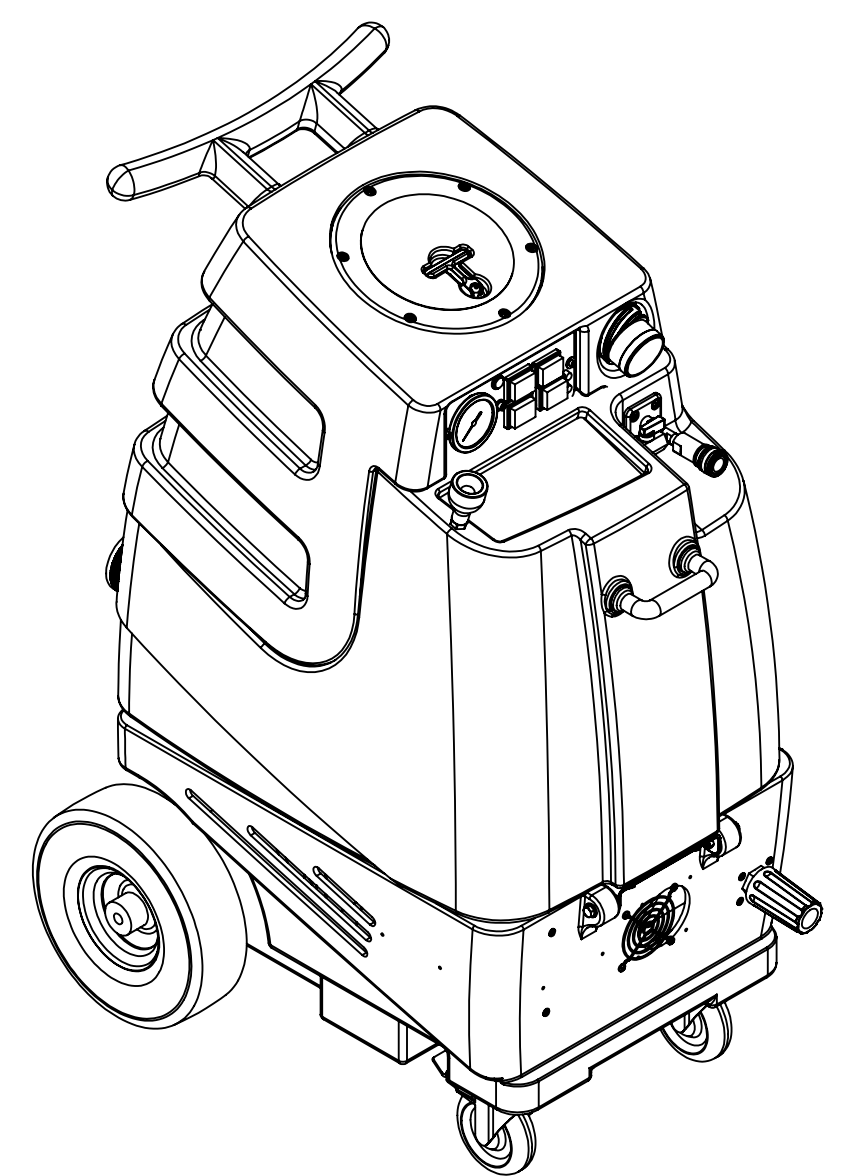
ITEM NO.	PART NO.	DESCRIPTION	QTY.
63	H484	plate, mounting, QD	1
64	B135	tee, 1/4" mpt x 1/4" mpt x 1/4" mpt	1
65	B102	quick disconnect, 1/4" fqd x 1/4" fpt	1
66	B656	valve, ball, 1/4" fpt x 1/4" fpt, s/s	1
67	B109	barb, 1/4" barb x 1/4" mpt	1
68	B170	ferrule, 1/4" brass	1
69	PH634-36	sol hose, 1/4", 300 PSI	1
70	H316	bolt, 1/4x1-1/2", hex head zinc	2
71	H378	bracket, front hinge, sp/fb	1
72	H201	bolt, 1/4-20 x 1/2", hex head, zinc	2
73	H212	flat washer, 9/16"ID x 1 1/16"OD, AN960-C916	5
74	B107	nipple, hex, 1/4"mpt x 1/4"mpt	2
75	B119	filter, strainer, 1/4"	1
76	B186	elbow, 90 deg street, 3/8"mpt x 3/8" fmpt	1
77	H299	washer, 11/16" id x 1-1/2" od x .075, s/s	3
78	B216	nipple, brass, 3/8" x close	1
79	B210	bushing, brass, 1/2"mpt x 3/8" fpt, hex	1
80	B119A	filter, strainer, 1/2" fpt	1
81	H314	nut, lock, 1-1/2", steel	2
82	P520	adapter, 1.5" mpt pvc	2
83	PH633-2.5	pipe, pvc, 1-1/2"	4
84	P503	adapter, 1.5" pvc, 45 deg, fslip	4
85	PH633-6.5	pipe, pvc, 1-1/2"	2
86	P502	adapter, 1.5" pvc, fslip x fslip	2
87	G097	filter, screen mesh, 1.90" dia	2
88	G003	filter, foam, 2", vac stack, 1/2"	2
89	PH633-.1	pipe, pvc, 1-1/2"	2
90	H226	spout, drain, 45 degree	1
91	H225	valve, drain, 1-1/2"	1
92	P733	vac tank, speedster	1
93	A926	elbow, inlet assembly 2"	1
94	G091	gasket, 7", vac lid	1
95	G090	lid, vac tank, clear, 7"	1
96	H135	Cuff-Lynx, 2" m cuff x 2" mpt	1
97	E512B	light, indicator, blue	1
98	H337	plate, switch, 1003DX, 1005DX	1
99	E511	light, red, 250v	2
100	E515	switch, rocker, 2 position	3
101	E516	switch, rocker, 3 position	1
102	H389	screw, 10-32 x 1/2" SHCS, alloy	1
103	H289	washer, 10 flat, s/s	1
104	H612	waasher, #8, flat regular	2
105	H246	screw, 8-32 x 3/8" SHCS, alloy, Black	2
106	H308D	gauge, pressure, 2000 PSI	1
107	AH117	sol hose, pulse, 3/8" x 49", 1/4" fsw x 1/4" fsw	1
108	B113	tee, 1/4" fpt x 1/4" fpt x 1/4" fpt	1
109	E373	level switch, vacuum shut-off, rear threads	2
110	H503	vac support, 3 stage, 3.25", no thrds	6
111	H096	bolt, hex, 1/4-20 x 4", zinc Finish	6
112	C304LA	vac motor, 3 stage, low amp, 240V, 110"	2
113	G004	gasket, vacuum motor	2

ITEMS NOT SHOWN

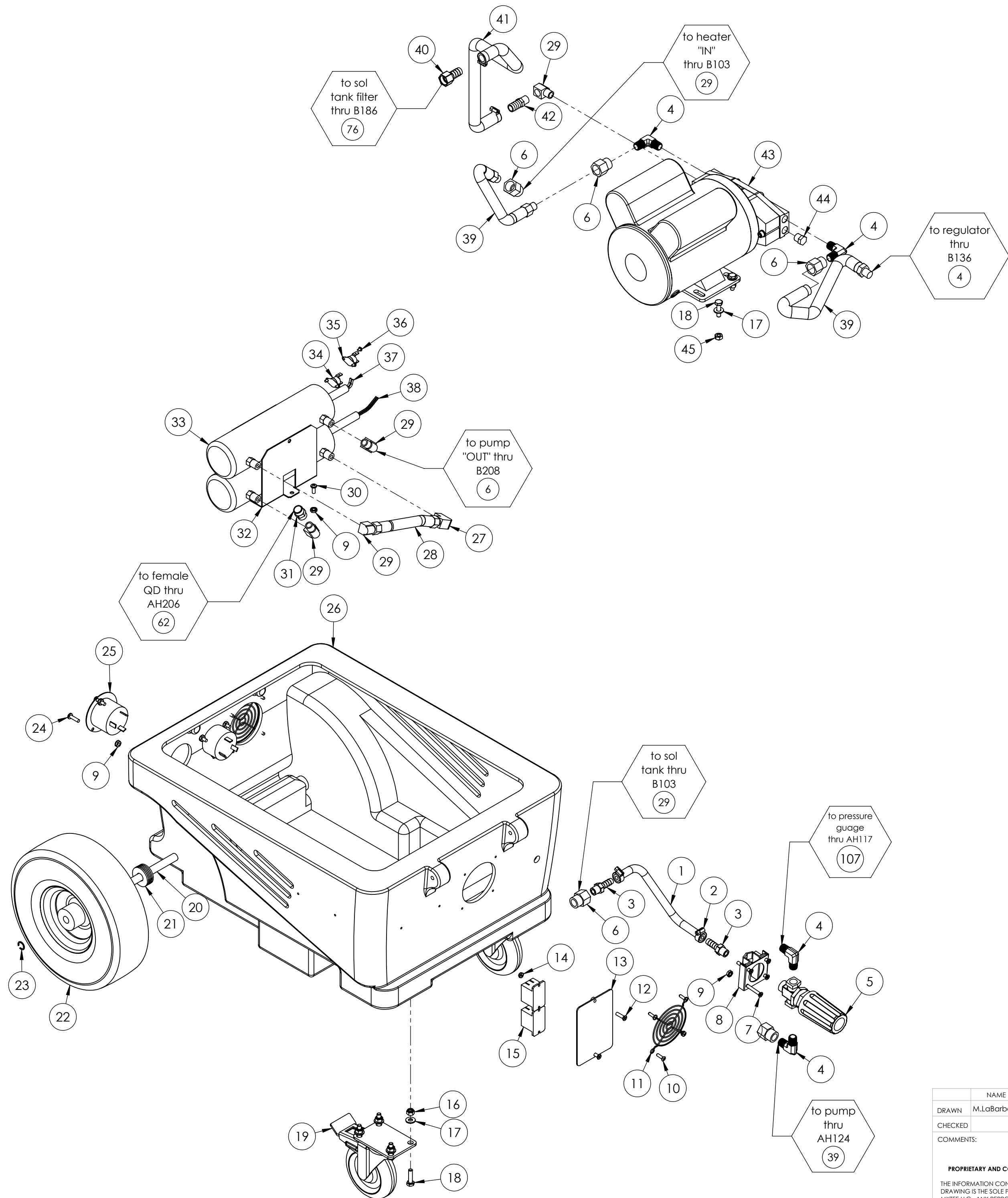
PART NO.	DESCRIPTION	QTY.
E380	harness, electrical	1
G008	piglet filet	1
H141	Cuff-Lynx, 2" to 1.5" reducer	1
E351A	power cord, ext 50', 12/3, twist lock, sjtw solid jacket	2
H110	Cuff-Lynx, 2" hose x 2" fem swivel Cuff-Lynx	1
P568A	cord lock, s-type	2
ADM-SPEEDSTERS	manual, speedsters	1

COMPONENT ASSEMBLIES

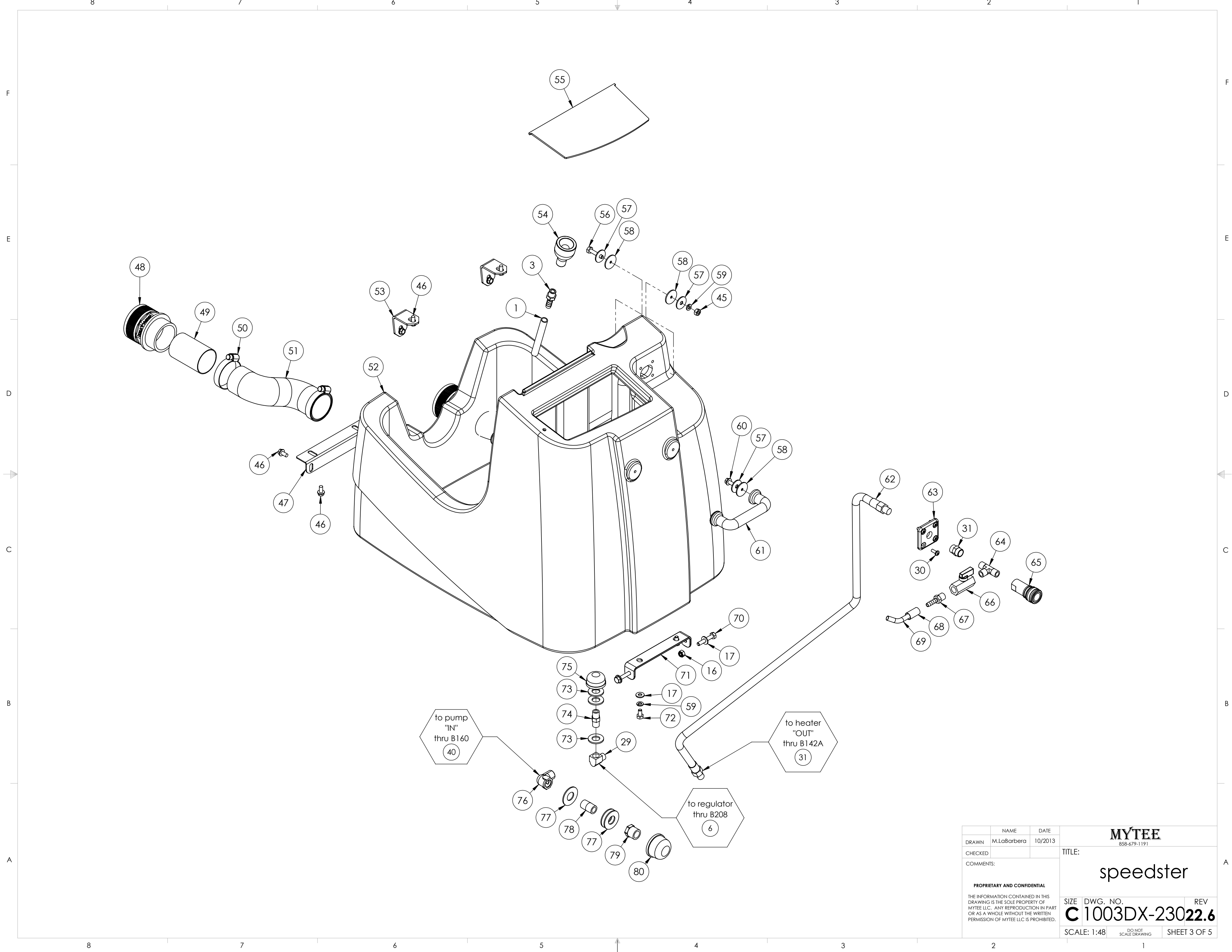
ITEM NO.	PART NO.	DESCRIPTION	QTY.
	A908A	heater assembly, 1600w, 230v	1
33	H093A	heater, aluminum cast, single	2
38	E572	heating rod, 600W, 230V	1
34	E574	Thermostat, 310°F ± 10°F, Manual, 1/4"	1
35	E573	Thermostat, 200°, Auto, 1/4"	1
37	E520	heating rod, 1000W, 230V	1



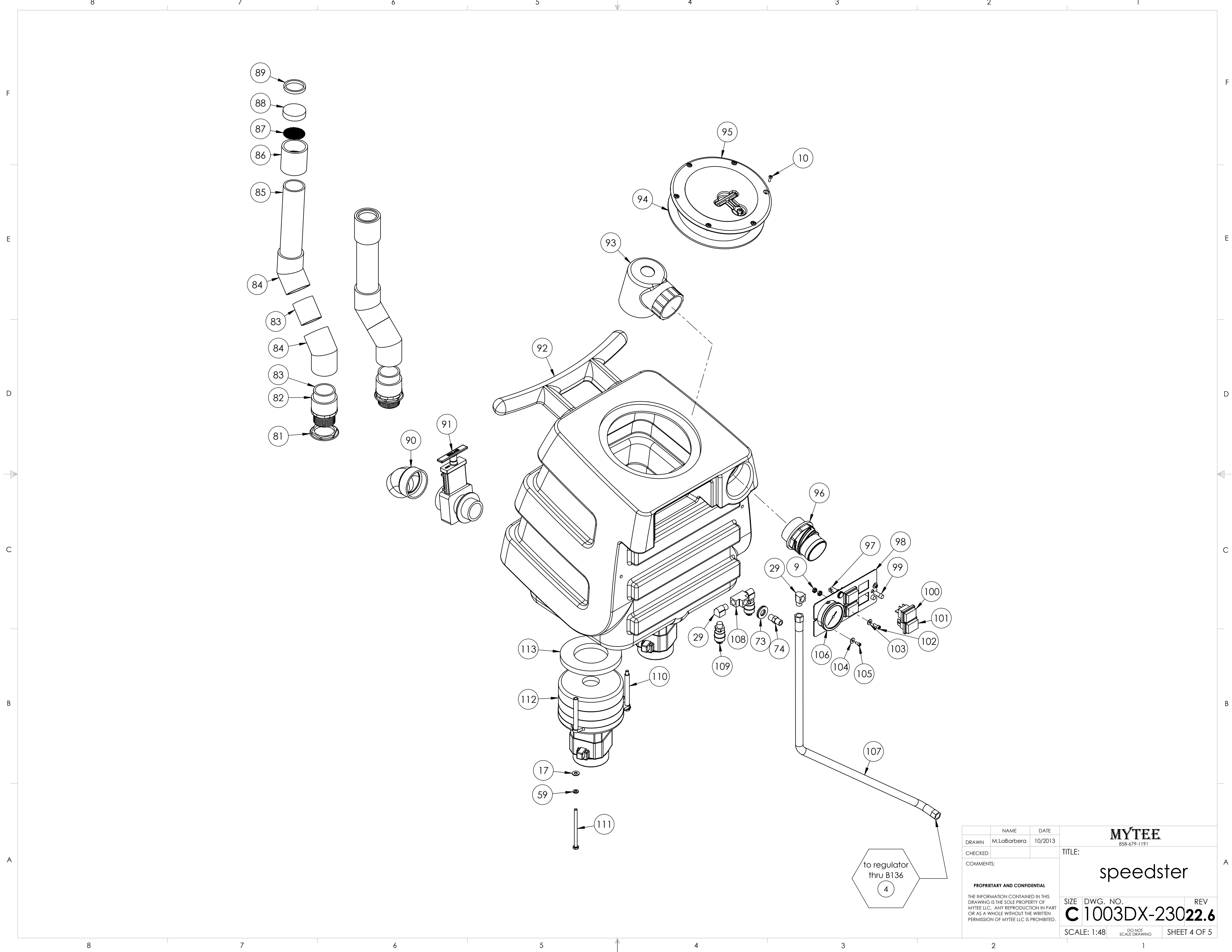
NAME	DATE	MYTEE 858-679-1191
DRAWN M.LaBarbera	10/2013	
CHECKED		TITLE:
COMMENTS:		speedster
PROPRIETARY AND CONFIDENTIAL THE INFORMATION CONTAINED IN THIS DRAWING IS THE SOLE PROPERTY OF MYTEE LLC. ANY REPRODUCTION IN PART OR AS A WHOLE WITHOUT THE WRITTEN PERMISSION OF MYTEE LLC IS PROHIBITED.		SIZE DWG. NO. REV C 1003DX-23022.6
SCALE: 1:48	DO NOT SCALE DRAWING	SHEET 1 OF 5



	NAME	DATE	MYTEE 858-679-1191		
DRAWN	M.LaBarbera	10/2013			
CHECKED			TITLE: speedster		
COMMENTS:					
<small>PROPRIETARY AND CONFIDENTIAL</small> <small>THE INFORMATION CONTAINED IN THIS DRAWING IS THE SOLE PROPERTY OF MYTEE LLC. ANY REPRODUCTION IN PART OR AS A WHOLE WITHOUT THE WRITTEN PERMISSION OF MYTEE LLC IS PROHIBITED.</small>			SIZE	DWG. NO.	REV
			C	1003DX-230	22.6
			SCALE: 1:48	DO NOT SCALE DRAWING	SHEET 2 OF 5



	NAME	DATE	MYTEE 858-679-1191	
DRAWN	M.LaBarbera	10/2013		
CHECKED			TITLE:	
COMMENTS:			speedster	
<small>PROPRIETARY AND CONFIDENTIAL</small> <small>THE INFORMATION CONTAINED IN THIS DRAWING IS THE SOLE PROPERTY OF MYTEE LLC. ANY REPRODUCTION IN PART OR AS A WHOLE WITHOUT THE WRITTEN PERMISSION OF MYTEE LLC IS PROHIBITED.</small>			SIZE	DWG. NO.
			C	1003DX-23022.6
			SCALE: 1:48	SHEET 3 OF 5

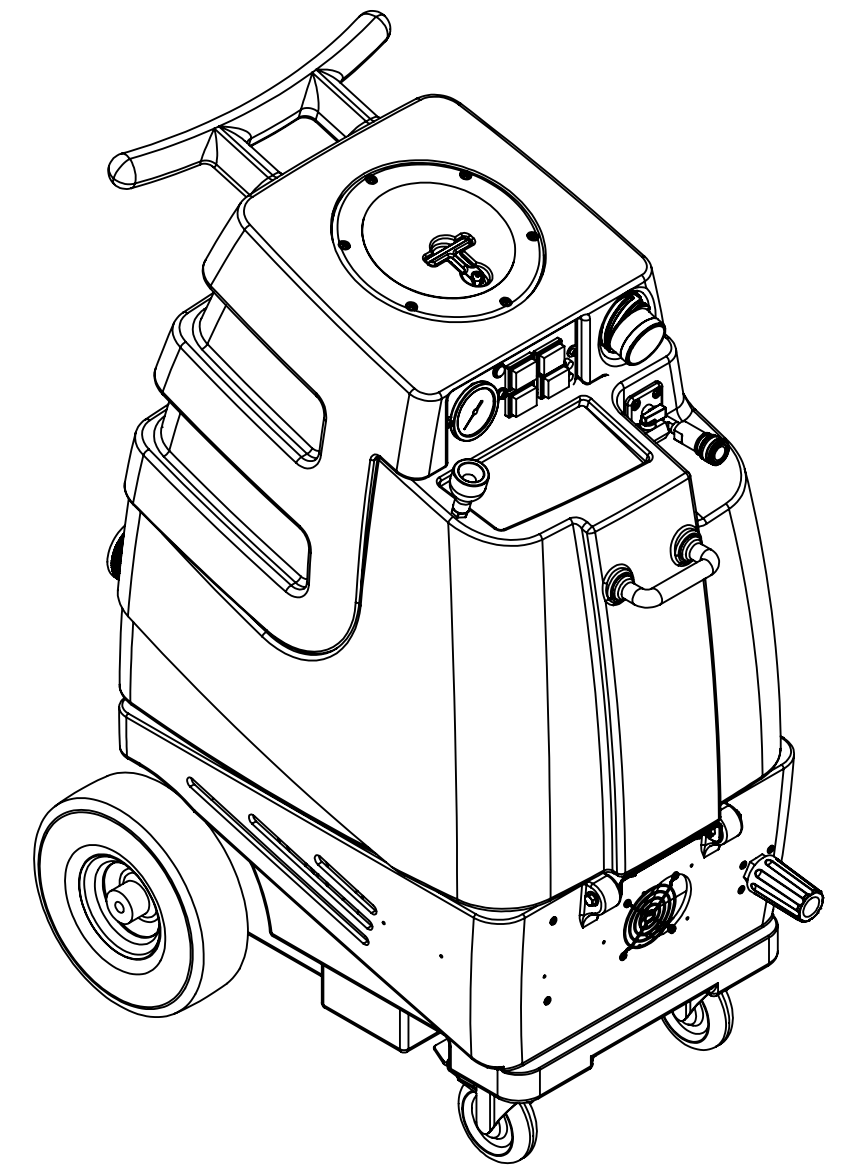


	NAME	DATE	MYTEE 858-679-1191	
DRAWN	M.LaBarbera	10/2013		
CHECKED			TITLE:	
COMMENTS:			speedster	
<small>PROPRIETARY AND CONFIDENTIAL</small> <small>THE INFORMATION CONTAINED IN THIS DRAWING IS THE SOLE PROPERTY OF MYTEE LLC. ANY REPRODUCTION IN PART OR AS A WHOLE WITHOUT THE WRITTEN PERMISSION OF MYTEE LLC IS PROHIBITED.</small>			SIZE	DWG. NO.
			C	1003DX-23022.6
			SCALE: 1:48	DO NOT SCALE DRAWING
			SHEET 4 OF 5	

to regulator
thru B136
4

REVISIONS

REV.	DESCRIPTION	DATE	APPROVED
OD	ORIGINAL DRAFT	-	JFL
A	REPLACED G003 W G022	8/2013	JFL
B	REPLACED H033 W H342, ADDED H210 & H216	10/8/2013	JFL
C	G021 REPLACED W G097	10/25/2013	JFL
D	REPLACED H219 W H042	8/8/2014	ML
E	REPLACED H347 W B170 & B173; G022 W G003	8/15/2014	ML
F	ADDED B241	4/16/2015	ML
G	REMOVED ELECTRONIC FLOAT	3/8/2016	ML
H	H668 REPLACES H666	5/23/2017	ML
22.6	AH206 REPLACES AH120	6/2022	ML



	NAME	DATE	MYTEE 858-679-1191		
DRAWN	M.LaBarbera	10/2013			
CHECKED			TITLE: speedster		
COMMENTS:					
PROPRIETARY AND CONFIDENTIAL <small>THE INFORMATION CONTAINED IN THIS DRAWING IS THE SOLE PROPERTY OF MYTEE LLC. ANY REPRODUCTION IN PART OR AS A WHOLE WITHOUT THE WRITTEN PERMISSION OF MYTEE LLC IS PROHIBITED.</small>			SIZE	DWG. NO.	REV
			C 1003DX-230		22.6
			SCALE: 1:48	DO NOT SCALE DRAWING	SHEET 5 OF 5